

# Technical data sheet



## Product features

### Fry-top griddle plate 40x51 gas grooved without cabinet

|              |                 |          |
|--------------|-----------------|----------|
| <b>Model</b> | <b>SAP Code</b> | 00110069 |
|--------------|-----------------|----------|



- Top type: Grooved
- Griddle dimensions [mm x mm]: 396 x 510
- Griddle thickness [mm]: 12.00
- Worktop material: Sandblasted steel
- Container for liquid fat: Yes
- Maximum device temperature [°C]: 300
- Surface finish: sandblasted surface without coating
- Removable rim: Yes
- Ignition: Piezo + večný plamen

|                        |          |                                     |  |
|------------------------|----------|-------------------------------------|--|
| <b>SAP Code</b>        | 00110069 | <b>Power gas [kW]</b>               | 7.000  |
| <b>Net Width [mm]</b>  | 400      | <b>Type of gas</b>                  | Natural gas,<br>propane butane               |
| <b>Net Depth [mm]</b>  | 700      | <b>Griddle dimensions [mm x mm]</b> | 396 x 510                                    |
| <b>Net Height [mm]</b> | 330      | <b>Top type</b>                     | Grooved                                      |
| <b>Net Weight [kg]</b> | 38.00    | <b>Worktop type</b>                 | Molded - comfortable<br>cleaning maintenance |

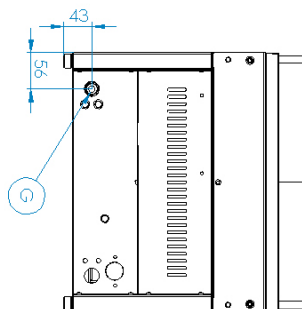
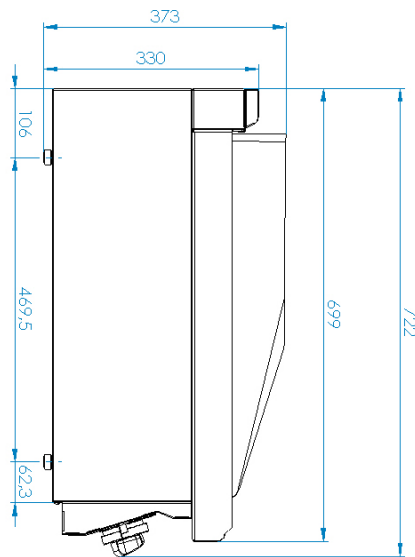
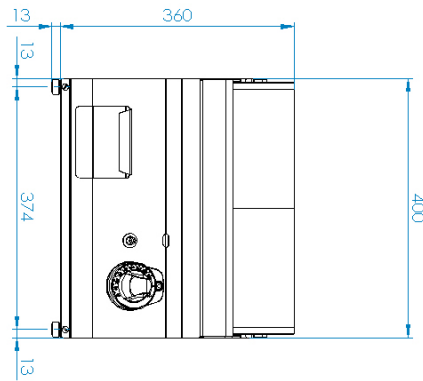
# Technical data sheet



Technical drawing

## Fry-top griddle plate 40x51 gas grooved without cabinet

|              |                 |          |
|--------------|-----------------|----------|
| <b>Model</b> | <b>SAP Code</b> | 00110069 |
|--------------|-----------------|----------|



# Technical data sheet



## Product benefits

### Fry-top griddle plate 40x51 gas grooved without cabinet

Model

SAP Code

00110069

1

#### Safety element – thermocouple

safe service for staff  
there is no unnecessary gas leakage  
long life

- savings on service interventions
- easier and faster operation

2

#### All-stainless design

long life  
corrosion resistance of the top plate material

- savings on service interventions
- higher corrosion resistance

3

#### Degree of protection of the control elements IPX4

maintenance-free system  
resistance to splash water  
long life

- savings on service interventions
- easy cleaning and maintenance of equipment

4

#### Outlet for waste liquids

ensures that oil drips into the socket

- easy maintenance
- easy cleaning

5

#### High detachable hem

better hygienic conditions  
preventing grease from splashing onto ancillary equipment

- easy maintenance
- easy cleaning

6

#### Ribbed steel plate

fast heat transfer and the surface will not be scratched  
a good warming of the meat with a groove

- time-saving in food preparation
- easy preparation of good-looking food

7

#### Cooking unit for use on a table or on a base

variable use  
the possibility of placement in smaller spaces

- easy handling
- cost savings on substructure

# Technical data sheet



## Technical parameters

### Fry-top griddle plate 40x51 gas grooved without cabinet

**Model**

**SAP Code**

00110069

**1. SAP Code:**

00110069

**2. Net Width [mm]:**

400

**3. Net Depth [mm]:**

700

**4. Net Height [mm]:**

330

**5. Net Weight [kg]:**

38.00

**6. Gross Width [mm]:**

440

**7. Gross depth [mm]:**

800

**8. Gross Height [mm]:**

390

**9. Gross Weight [kg]:**

44.00

**10. Device type:**

Gas unit

**11. Construction type of device:**

Table top

**12. Power gas [kW]:**

7.000

**13. Ignition:**

Piezo + večný plamen

**14. Type of gas:**

Natural gas, propane butane

**15. Protection of controls:**

IPX4

**16. Material:**

AISI 304 top plate, AISI 430 cladding

**17. Worktop type:**

Molded - comfortable cleaning maintenance

**18. Worktop material:**

Sandblasted steel

**19. Worktop Thickness [mm]:**

1.20

**20. Surface finish:**

sandblasted surface without coating

**21. Maximum device temperature [°C]:**

300

**22. Minimum device temperature [°C]:**

50

**23. Service accessibility:**

Trough the frontal panel

**24. Safety thermocouple:**

Yes

**25. Safety thermostat:**

Yes

**26. Adjustable feet:**

Yes

**27. Griddle dimensions [mm x mm]:**

396 x 510

**28. Griddle thickness [mm]:**

12.00

# Technical data sheet



Technical parameters

Fry-top griddle plate 40x51 gas grooved without cabinet

Model

SAP Code

00110069

**29. Container for liquid fat:**

Yes

**31. Top type:**

Grooved

**30. Removable rim:**

Yes